

ESCALATORS

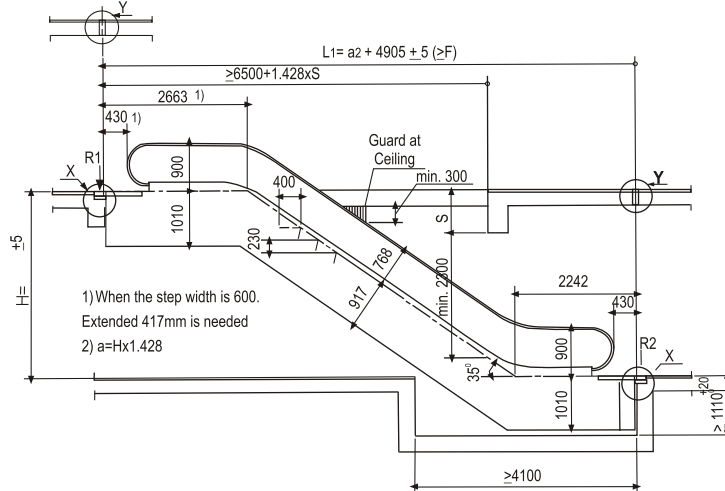
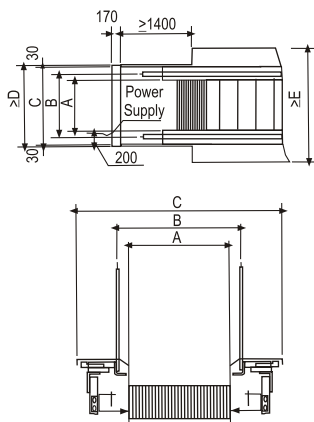


In the modern world, the only invention committed to human traffic in various new architectonics like airports, shopping malls, multiplexes, railway stations and many other public and private areas is elevators, escalators and moving walks. For thousands of locations where the transportation considered is through escalator and moving walks necessitates its application as being ideal to human flow. The technology of escalator and moving walks has raised comfort with safety for

large horizontal transportation at various locations. Escalators and moving walks are playing a most important role making it a necessity in the new era.

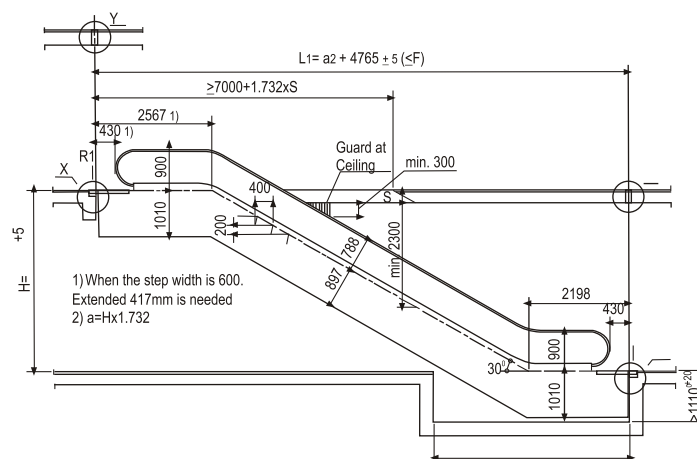
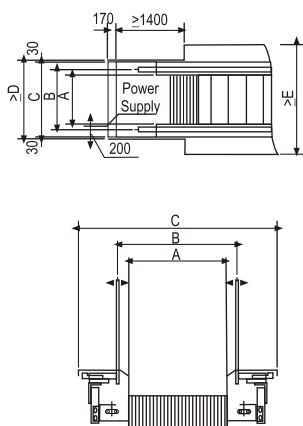
Escalators and moving walks are playing a most important role making it a necessity in the new era.

S310-35K COMMERCIAL ESCALATOR



	S310-35K60	S310-35K80	S310-35K100
A	600	800	1000
B	838	1038	1238
C	1200	1400	1600
D	1260	1460	1660
E	1838	2038	2238
F	18500	16900	15700

S310-30K COMMERCIAL ESCALATOR



	S310-30K60	S310-30K80	S310-30K100
A	600	800	1000
B	838	1038	1238
C	1200	1400	1600
D	1260	1460	1660
E	1838	2038	2238
F	18500	16900	15700

All Dimensions are in mm.